

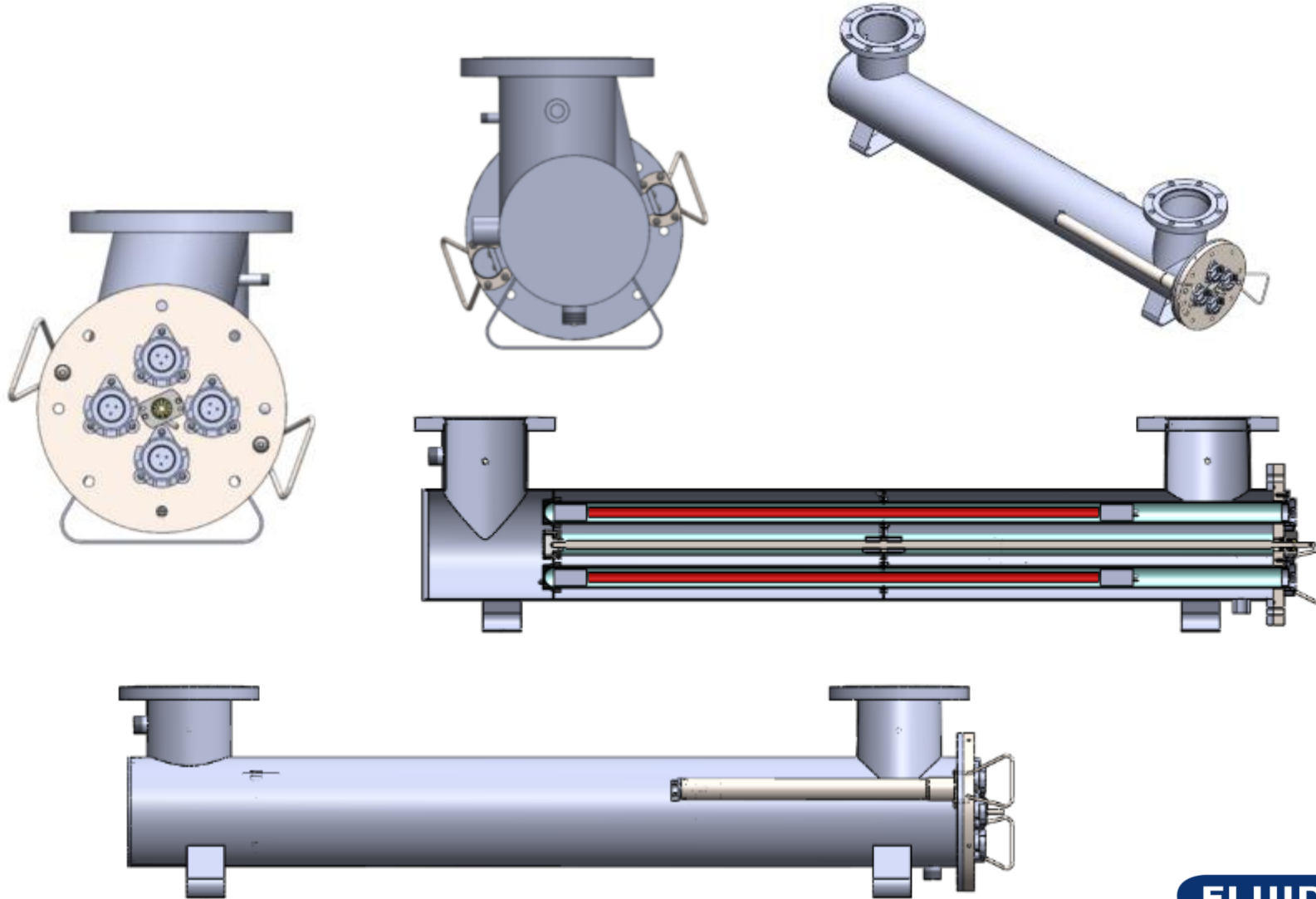


ProLine PQ AL Series

- Multilamp Low Pressure High Output (LPHO)
- Access carriage for easy maintenance
- Advanced safety features
- Advanced energy efficiency

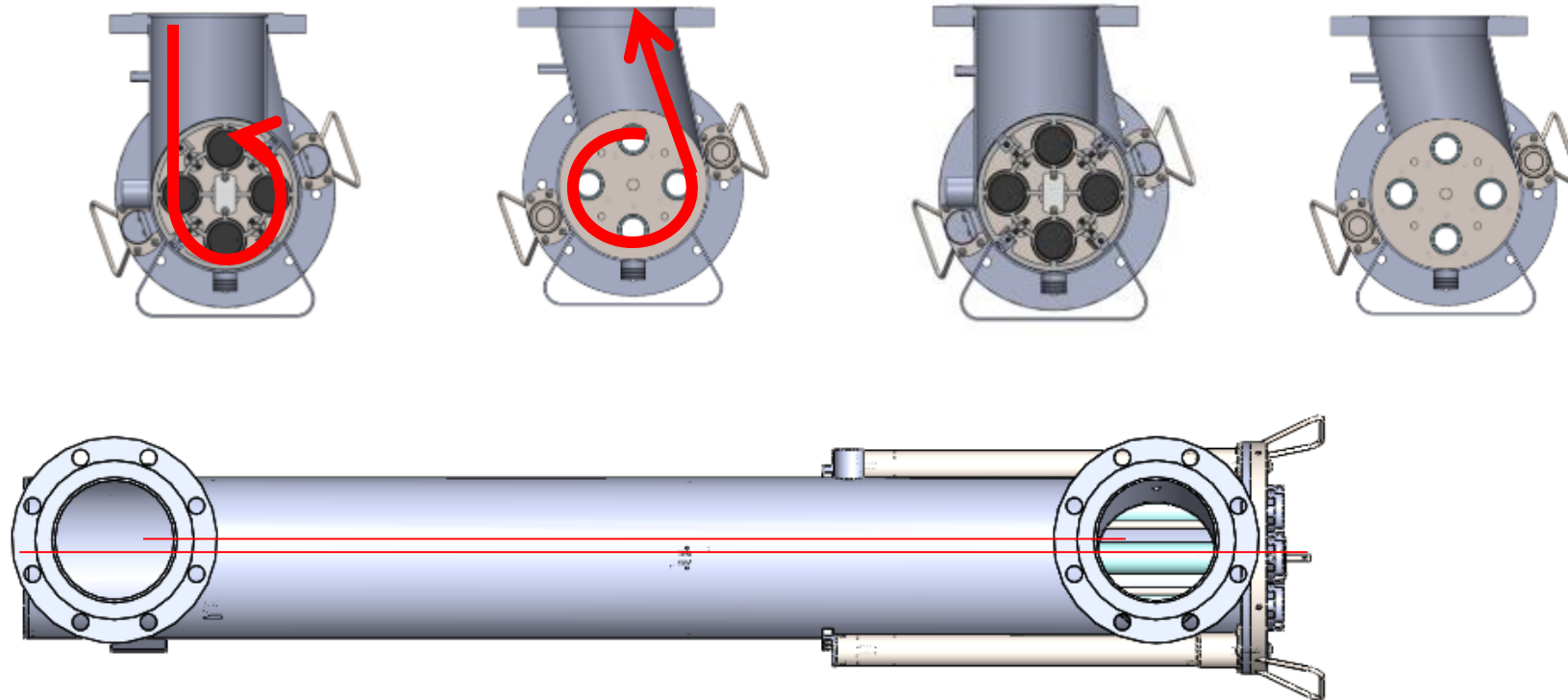


Potable & Reuse Water – USEPA-validated

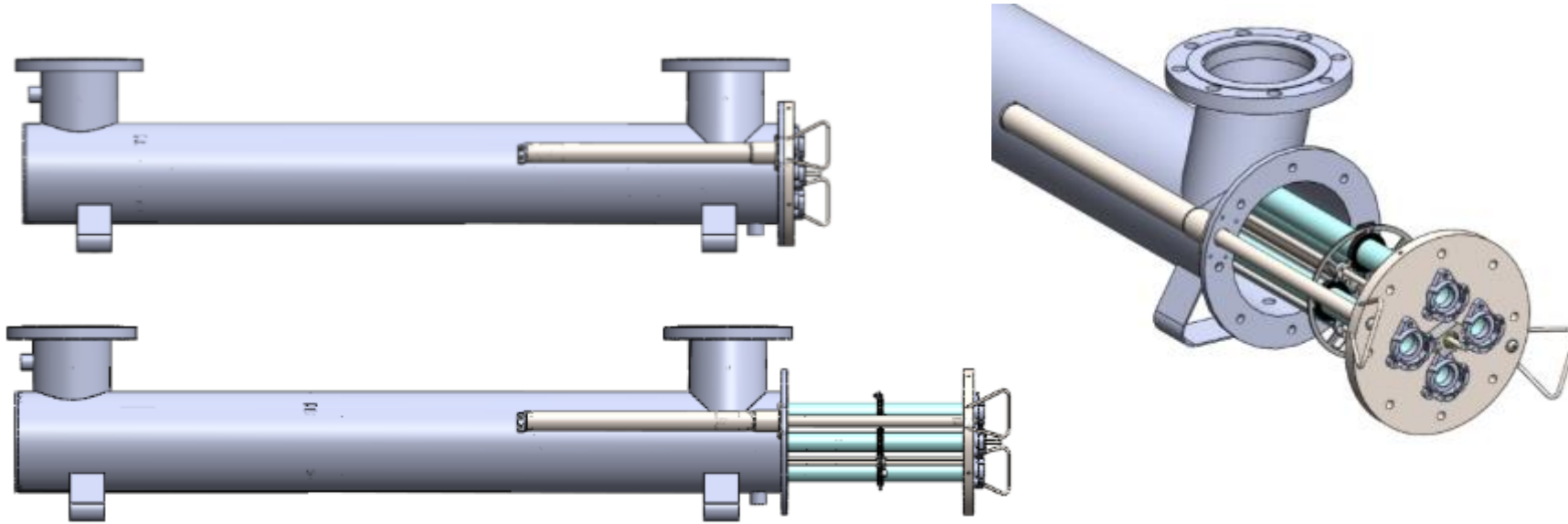


Potable & Reuse Water – USEPA-validated

- Offset Inlet induces swirl/mixing in the flow.
- Outlet riser is angled so inlet and outlet remain in line for installation ease and to maintain flow.



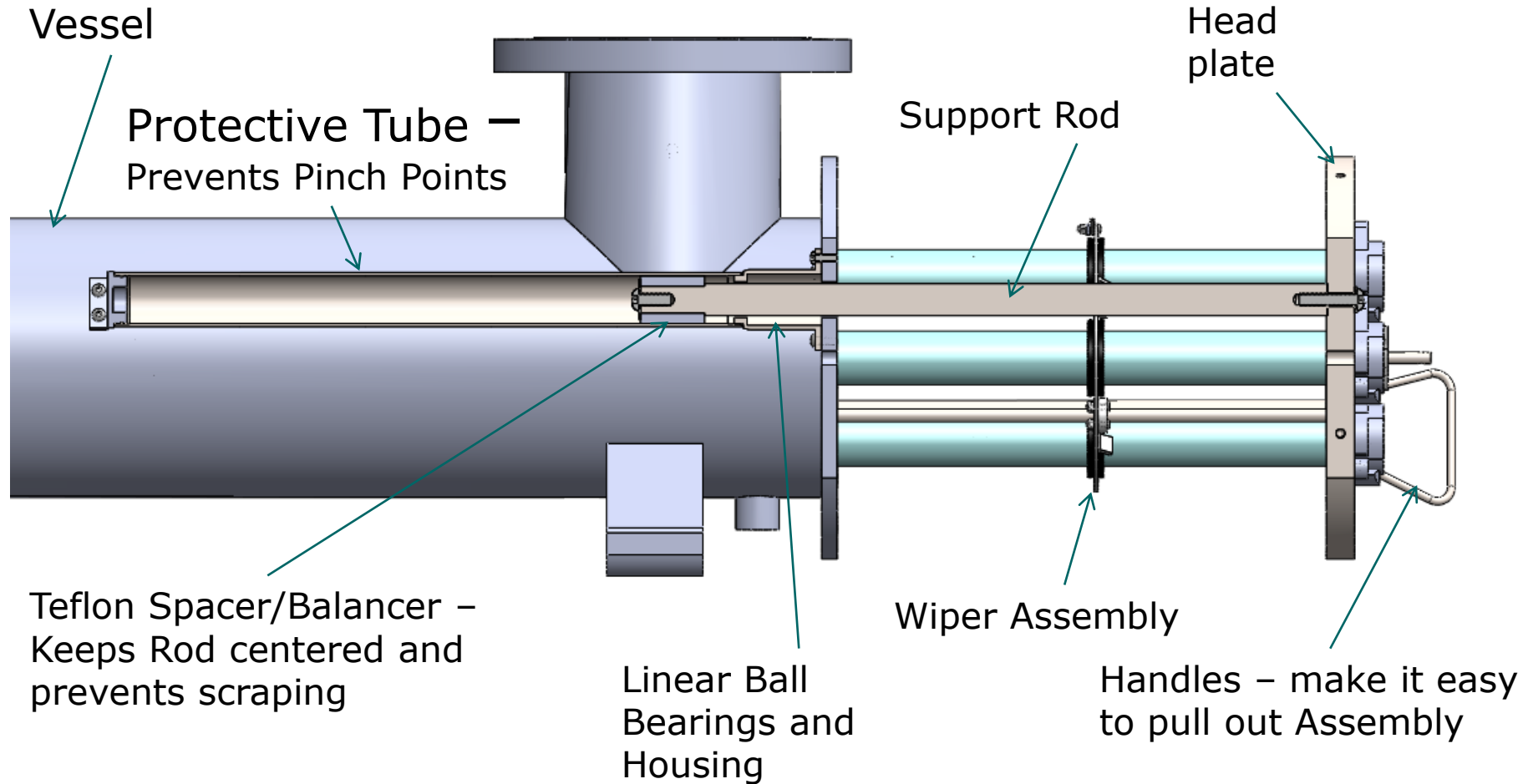
Maintenance Support Arms



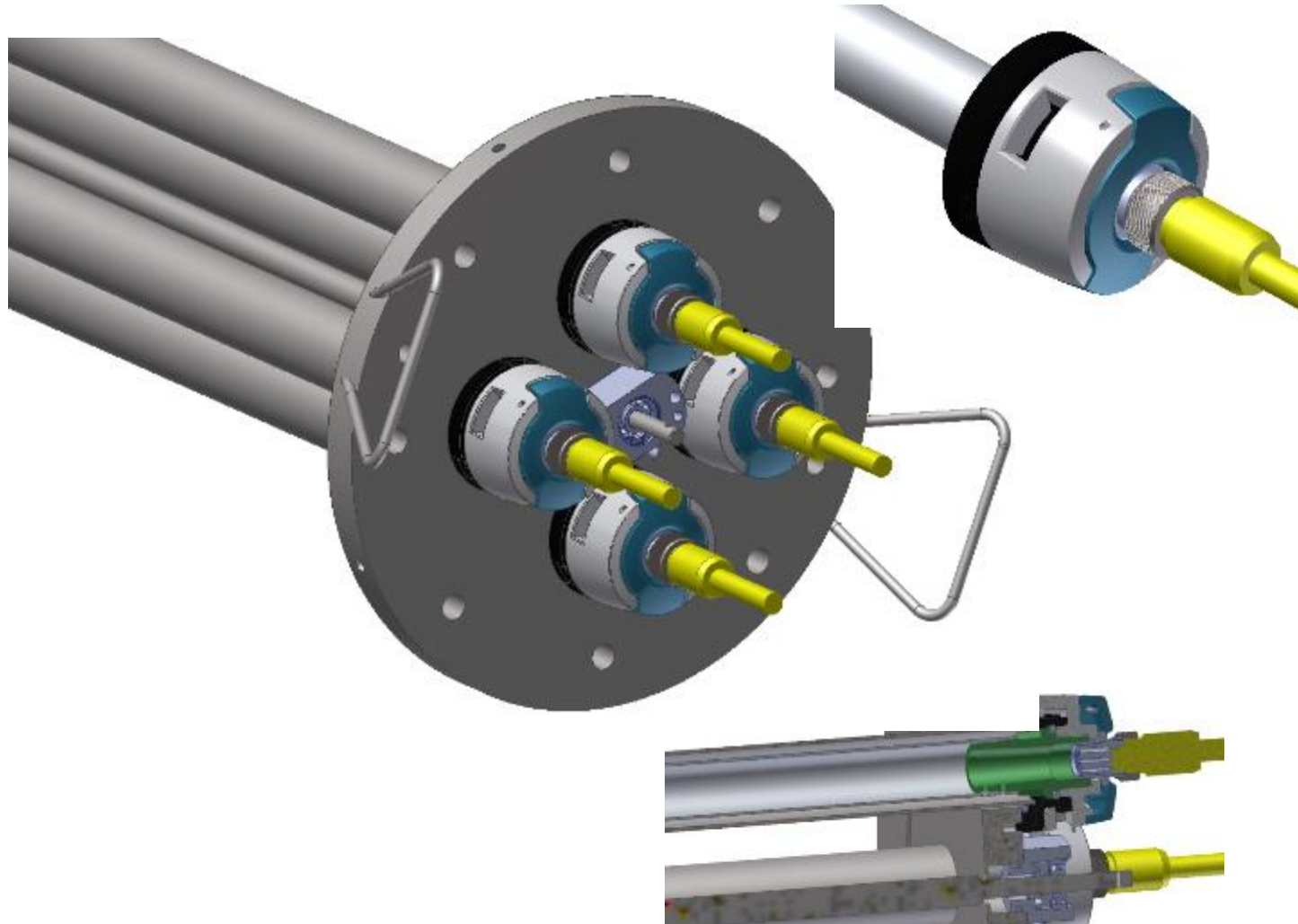
Maintenance Support Arms support the head plate, sleeves, wiper mechanism and lamps while vessel is open to allow for maintenance access. Two or more supports may be used.

- Inspect sleeves
- Clear fouling
- Ease of sleeve and wiper replacement

Maintenance Support Arms



Patented Lamp Connector



Locking Cap (blue) prevents cable (yellow) from being attached until connector is completely screwed in. Lamp cannot be removed while cable is attached. Lamp guaranteed powered off when removed.